

CLOSED  
-LOOP



••••• **DESKTOP &  
WALL MOUNT SYSTEMS**  
Cost Effective Solutions





Versatile, rugged and ideal for applications that require ease of operation and security, Closed-loop Desktop Racks and Wall Mount Racks are manufactured to DIN 41494 or IEC 297-11 Standards.

The Desktop Series 19" Racks are versatile, rugged and ideal for use as light duty racks for installations or as public address system racks. They can also be used as portable or mobile racks when fitted with handles and castor wheels. Unauthorized access is prevented through a choice of sturdy glass or metal door.

The 19" Wall Mount Rack's 180° angled swing frame design is a unique feature that not only enhances the maximum utilization of space but also allows easy access for maintenance, thus making it ideal for remote installations such as pump rooms, basements, false ceilings, etc.

Complete Range  
Cable Management  
**Innovative**  
Power  
Thermal



## RELIABLE PRODUCT QUALITY

Rest assured with the Closed-loop range of innovative solutions. Our uncompromising quality has earned us the trust of our customers worldwide. As an ISO 9001 certified organization, we employ the Total Quality Management (TQM) concept from start to finish. Every step of the production process is controlled to ensure your peace of mind through complete compliance with your specifications.

of Solutions  
Security Features  
Systems  
Points  
Ventilation



# Desktop Parts Identification

## Roof Top

- Fan cut-outs for ventilation (optional)
- Perforated for natural ventilation
- 19" rack: 560W x 600D

## Rear Steel Door

- With Key Lock
- Hinges on right
- Perforated (Optional)

## Fixed Side Cover

- For mounting the 19" mounting element
- Bolted to the top & bottom cover directly
- Not removable

## Power Distribution Socket

- 3 pin socket, 230VAC
- BS 1363 Standards

## 19" Mounting Element

- According to DIN 41494 or IEC 297-11 Standards
- 9mm square hole

## Front Glass Door

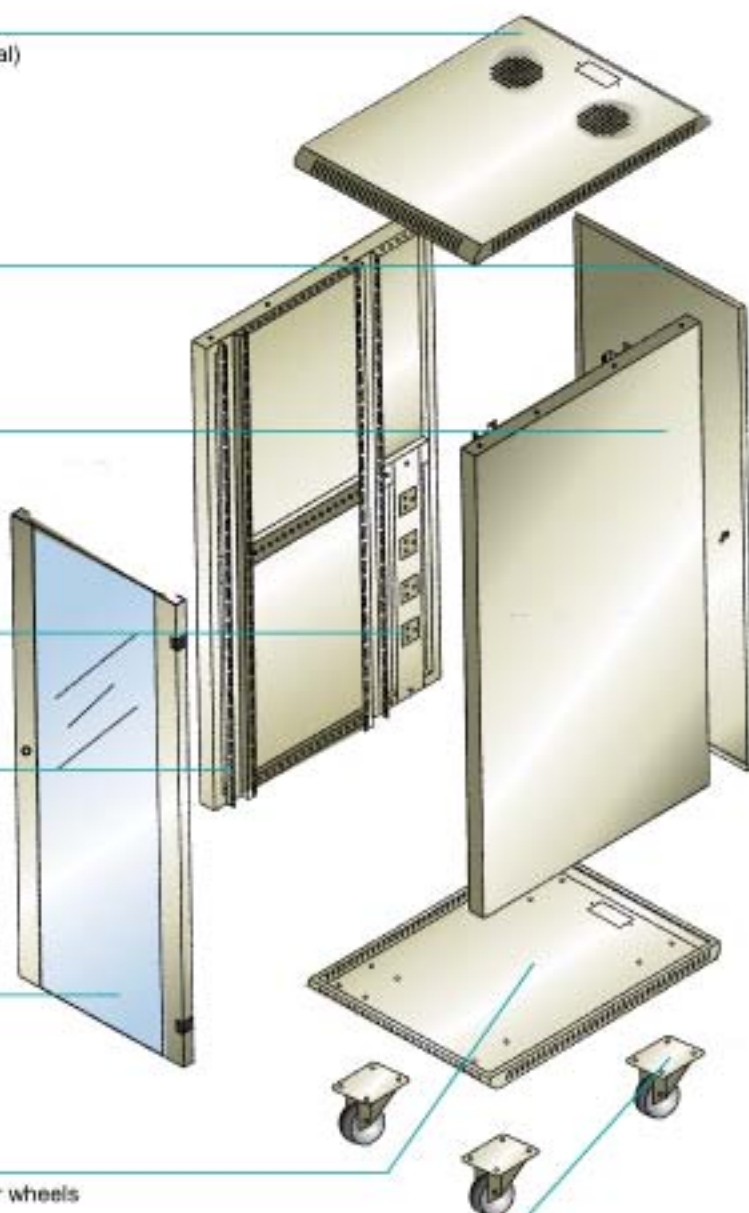
- With key lock
- Hinges on right
- Steel (Optional)

## Bottom Cover

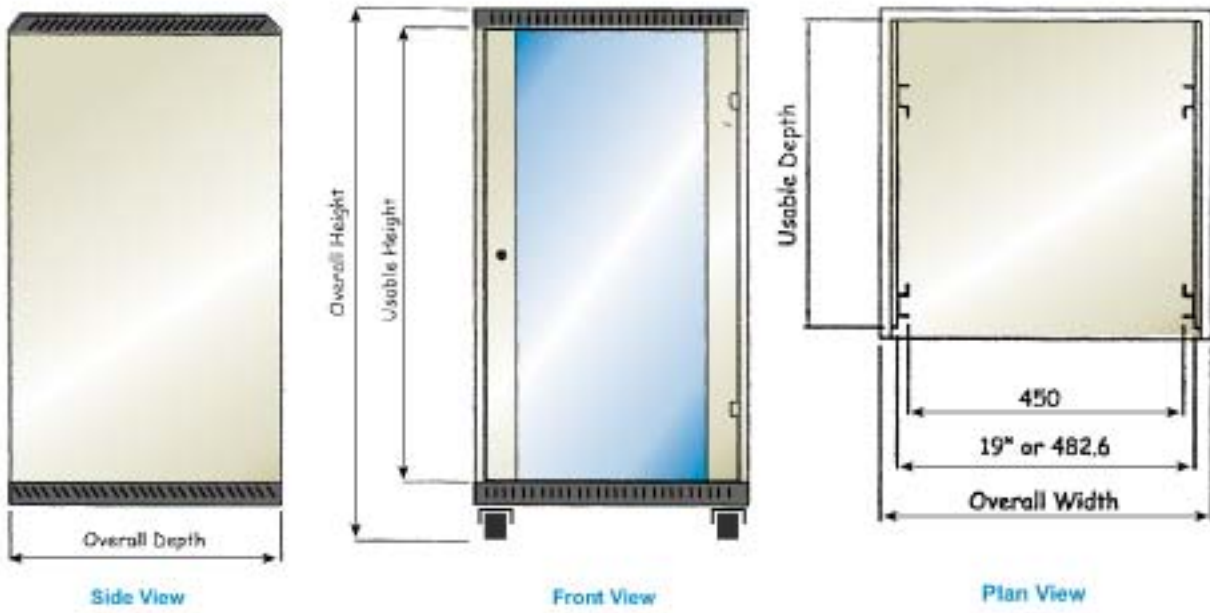
- To support the side cover & castor wheels

## Castor Wheels

- 3"
- Choice of castor wheels with or without brakes



All specifications in mm  
Usable Height 1U = 44,45mm  
Standard 19" rack width = 560mm  
Dimensions and specifications other than those specified herein  
are considered customized.



## DIMENSIONS

No of "U"	Usable Height	Overall Height	Overall Width	Overall Depth	Approx Weight (Kg)
12U	536.60	731.60	560	600	18
15U	669.95	864.95	560	600	20
18U	803.30	998.30	560	600	23
21U	936.65	1,131.65	560	600	28

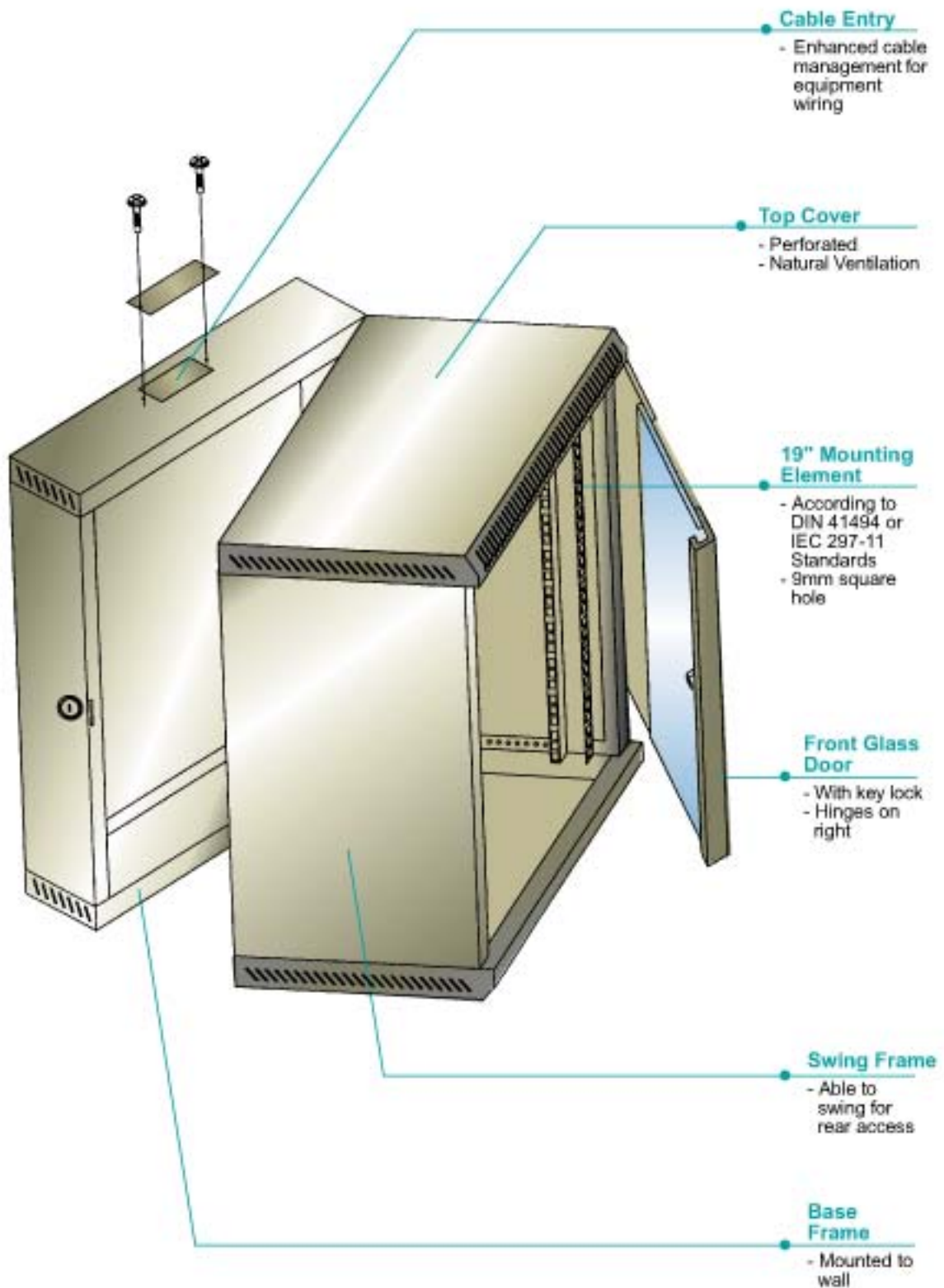
Above specifications inclusive of 55kg castor wheel

**CDR - XXXX-XXX**

Height	Width	Depth	No of fans	Power Socket
12 - 12U	56 - 560mm	6 - 600mm	2 - 2	4 - 4
15 - 15U			4 - 4	6 - 6
18 - 18U				8 - 8
21 - 21U				10 - 10
			Voltage: 230 VAC	Standard: BS 1363 Type B

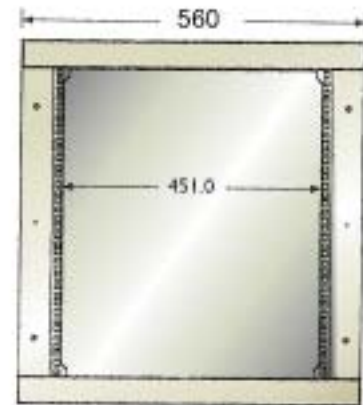
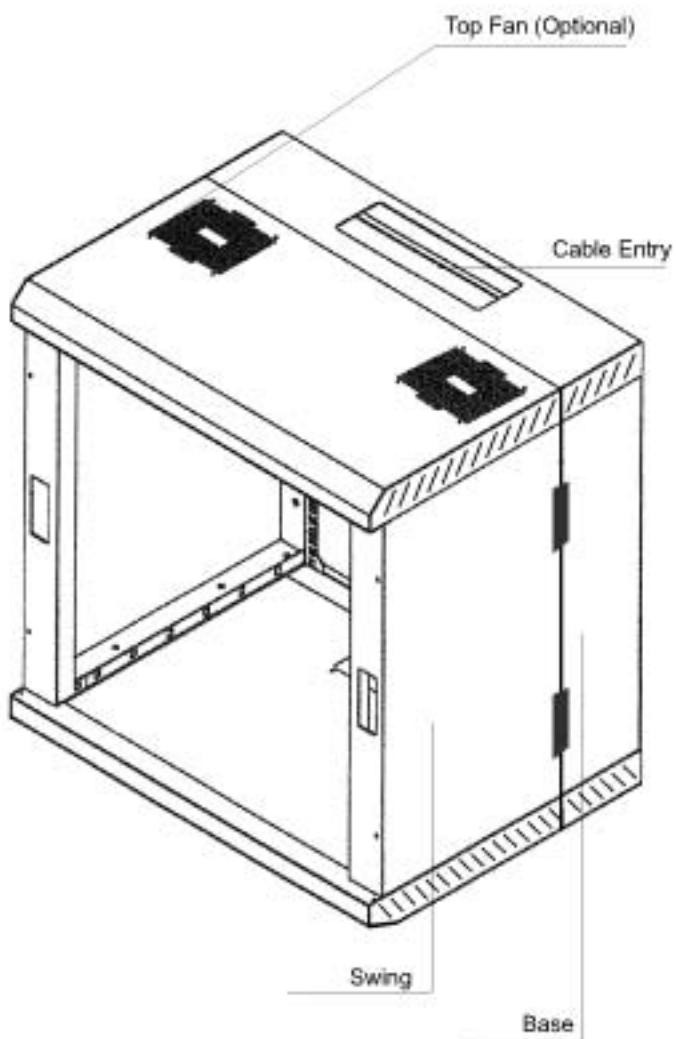


# Wall Mount Parts Identification

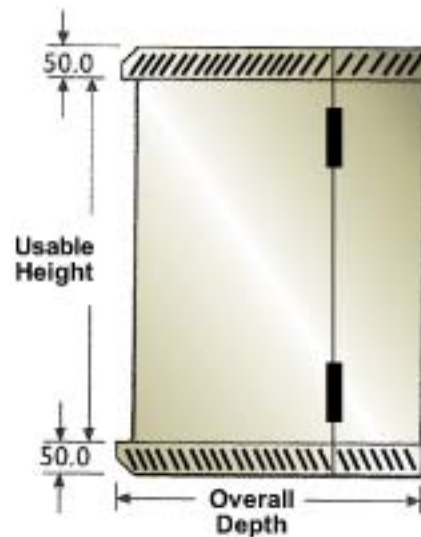


All specifications in mm  
Usable Height 1U = 44.45mm  
Standard 19" rack width = 550mm  
Dimensions and specifications other than those specified herein  
are considered customized.

# Wall Mount Dimensions



Front View



Side View

## DIMENSIONS

No of "U"	Usable Height	Overall Height	Overall Width	Overall Depth	Approx Weight (Kg)
9U	403.25	503.25	560	400	12
12U	536.60	636.60	560	400	15
15U	669.95	769.95	560	400	17
18U	803.30	903.30	560	400	20
21U	936.65	1036.65	560	400	22

All specifications in mm.



# ENHANCING YOUR COMPETITIVE EDGE

As one of the leading designers and manufacturers of 19" Racking System, Console, Desktop and Wall Mount Racks, Closed-loop Technology has evolved over the years since its incorporation in 1993. Today we are the single source for cost effective and customer oriented solutions to support a diverse range of applications to enhance your operational and competitive edge.



Agent

## Closed-loop Technology Pte Ltd

Block 14, Hougang Avenue 7, #01-579, Singapore 538 799

• Tel: + 65 6284 8706 • Fax: +65 6285 0353

• e-mail: closedlp@singnet.com.sg • <http://www.singnet.com.sg/~closedlp>

## Closed-loop Industries Sdn Bhd

No. 14, Jalan TPP 5/3, Taman Perindustrian Puchong, 47100 Puchong,

Selangor Darul Ehsan, Malaysia

• Tel: +603 8068 5873 • Fax: +603 8068 4916 • e-mail: closedlp@tm.net.my