

# LCD Monitor, 32"

32" TFT LCD monitor

WXGA resolution

Panel mounted, IP20

Industrial grade steel construction

High brightness TFT LCD

High contrast ratio

Fast response time

VGA, AV & S-video input

OSD for screen adjustment



**DCL-32**

## Specification

Display Type	32" TFT LCD active color
Native Resolution	WXGA, 1366 x 768 pixels
Viewing Angle	178° horizontal 178° vertical
Brightness	500 nits or cd/m <sup>2</sup>
Contrast Ratio	1200 : 1 typical
Response Time	8ms
Frequency	50 - 75 Hz
Lamp Life Time MTBF	60000 hours
Number of color	16.7 million colors
Pixel Pitch	0.681mm
Video Scan Frequency	30 to 80KHz (Horizontal), 55-75KHz (Vertical)
Video standard	NTSC / PAL (Auto sensing)
Composite Video Signal Input	0.5 to 2 Vp-p, 75Ω, RCA or BNC
S-video Signal Input	Y : 1Vp-p, C : 0.3Vp-p, 4pin mini DIN
VGA Signal Input	Analog RGB, DB15 (male)
Power Requirement	230 VAC, 180W, IEC320 type



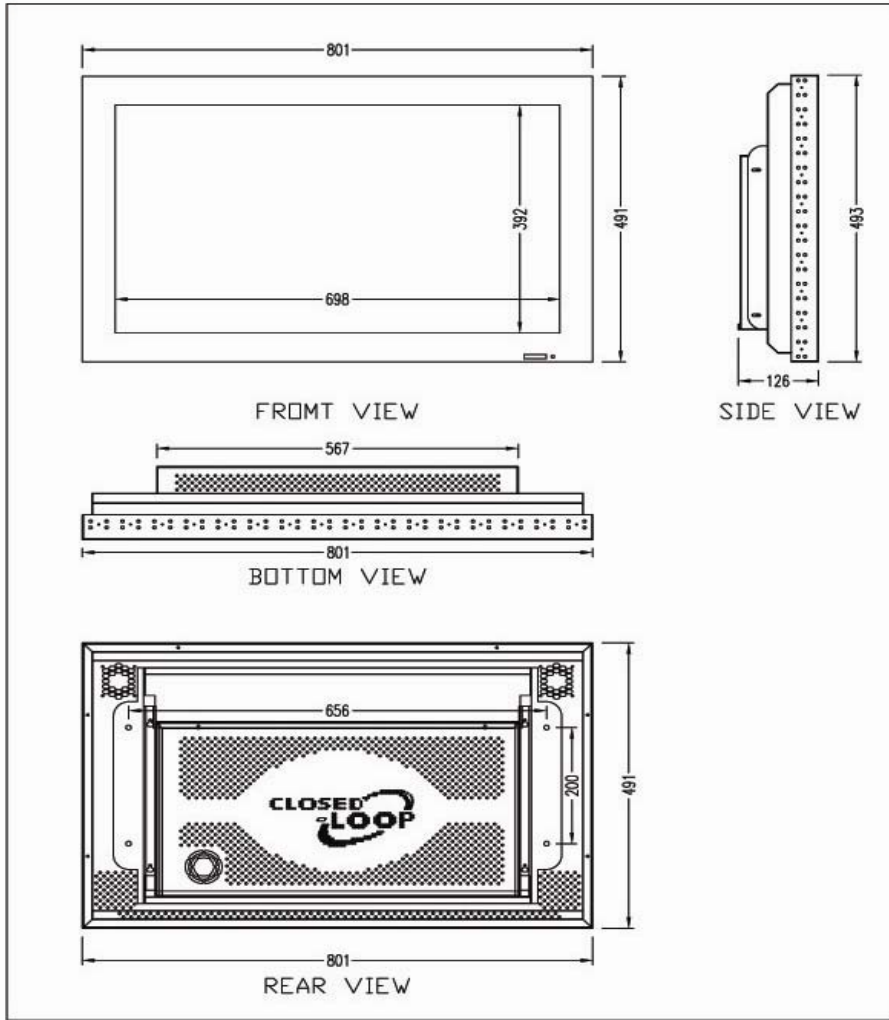
# Industrial TFT LCD Monitor, 32"

# Industrial LCD Monitor, 32"

## Mechanical Dimension

Color	Black & Silver (Customized color welcome)
Dimension	491H x 801W x 126D mm
Net Weight	16 kg
Packaging Size	1400L x 220B x 860H mm

## Desktop Version DCL-32



## Ordering Information

Part No : DCL-32

1 - Mounting Type	2 - Input Type	3 - Panel Type	4 - LCD Size	5 - Touch screen Type
P – Panel Mount D – Desktop Mount O – Open frame mount	C – composite, S-video & VGA	L – TFT LCD	15 – 15.1" 17 – 17.1" 19 – 19.1" 20 – 20.1" 32 – 32'	R – Resistive C – Capacitive S – Surface Acoustic Wave

